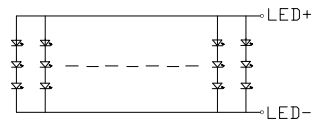
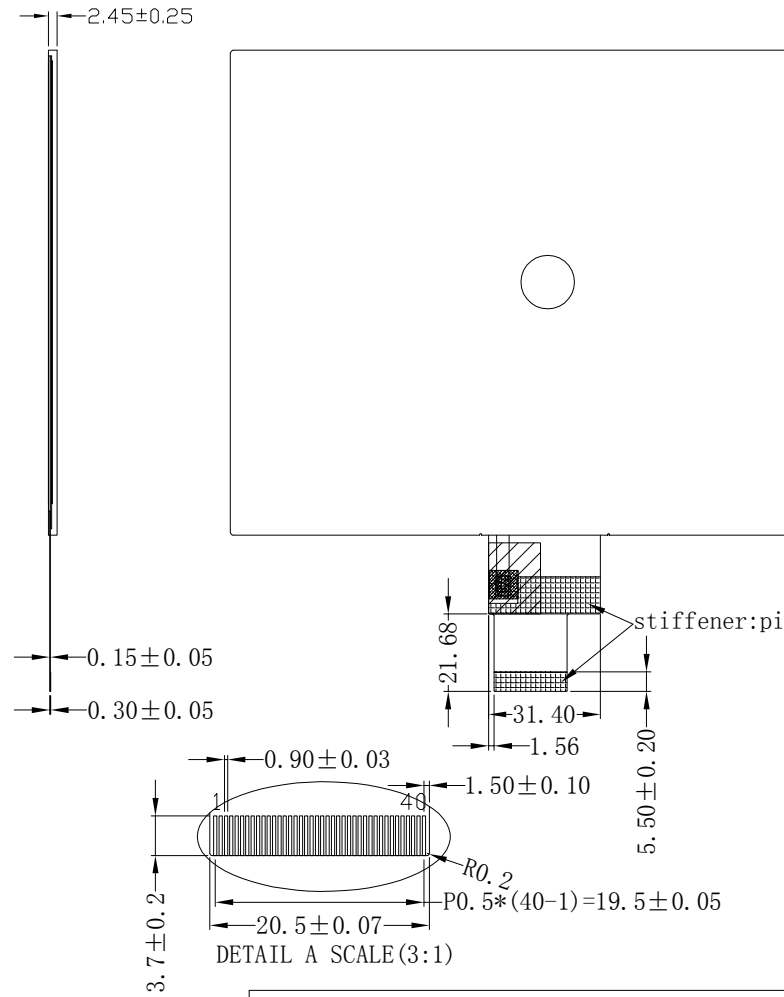


LED CIRCUIT DIAGRAM:



3*11=33EA If=220mA



DETAIL A SCALE (3:1)

CN ASSIGNMENT:

1	VCOM
2	VDD
3	VDD
4	NC
5	RESET
6	STBYB
7	GND
8	RXIN0-
9	RXIN0+
10	GND
11	RXIN1-
12	RXIN1+
13	GND
14	RXIN2-
15	RXIN2+
16	GND
17	RXCLKIN-
18	RXCLKIN+
19	GND
20	RXIN3-
21	RXIN3+
22	GND
23	NC
24	NC
25	GND
26	NC
27	DIMO
28	SELB
29	AVDD
30	GND
31	LED-
32	LED-
33	L/R
34	U/D
35	VGL
36	CABCEN1
37	CABCEN0
38	VGH
39	LED+
40	LED+

NOTES:

1. DISPLAY TYPE: 8.0" TFT, TRANSMISSIVE
2. VIEWING DIRECTION : U/L/D/R 80/80/80/80
3. Driver IC : N/A
4. Top : -20° C ~ 70° C, Tst : -30° C ~ 80° C
5. GENERAL TOLERANCE: ±0.2
6. RoHs Complicant

DLC Display Co., Limited

www.dlcdisplay.com

DRAWN BY:	TITLE: DLC0800FIG-5	
CHECKED BY:	DWG NO:	
APPROVED BY:	DWG NAME:	UNIT: mm
CONFIRMED BY:	SHEET NO: OF	